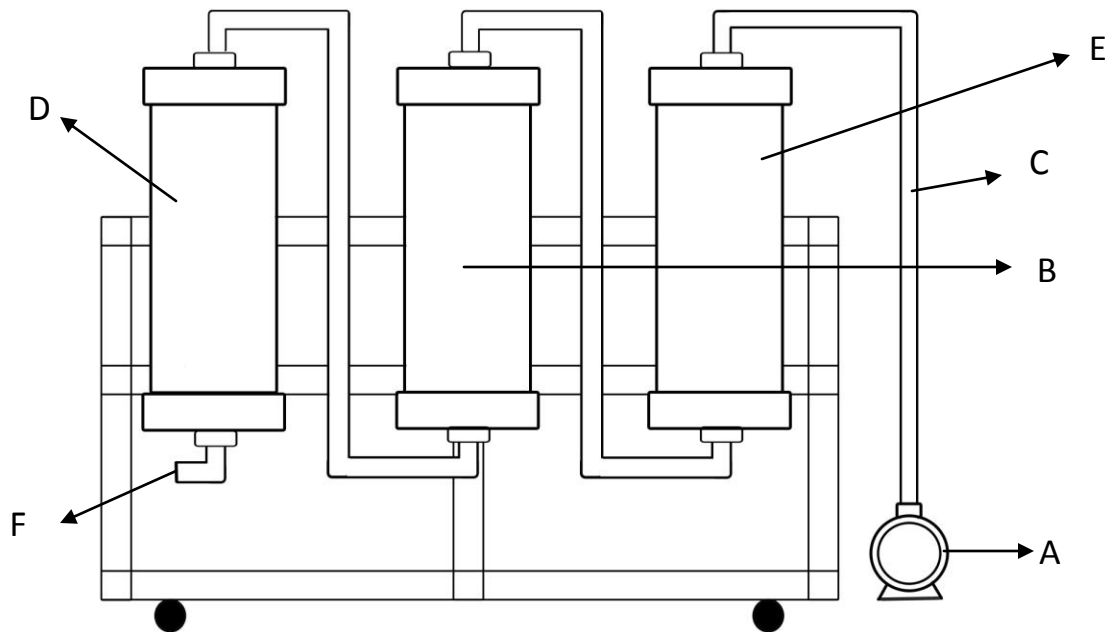


BAB IV

PERANCANGAN ALAT

4.1 Gambar dan Dimensi Alat

Perancangan alat *demineralizer* dalam gambar :



Gambar 1. Skema alat demineralizer

Bagian – bagian alat :

- | | |
|------------------------------|-------------------------------|
| A. Pompa + inlet | D. Tangki Kation (tipe FRP) |
| B. Tangki Anion (tipe FRP) | E. Tangki Mixed (tipe FRP) |
| C. Instalasi pipa PVC | F. Outlet |

4.2 Spesifikasi Alat :

Design	Explanation
Capacity	300 liter/hours
Flow type	Co Current
Pump	Panasonic
Type of pipe	Type PVC
High tube	1,5 meter / 75"
Power	Selected manually; 100-240 Volts
Dimensions tube	12"W x 10"D x 75"H
Diameter tube	10" (Anion, Kation, and Mix Bed)
Resin	Germany
Product Type	Demin Water

4.3 Cara Kerja Alat

