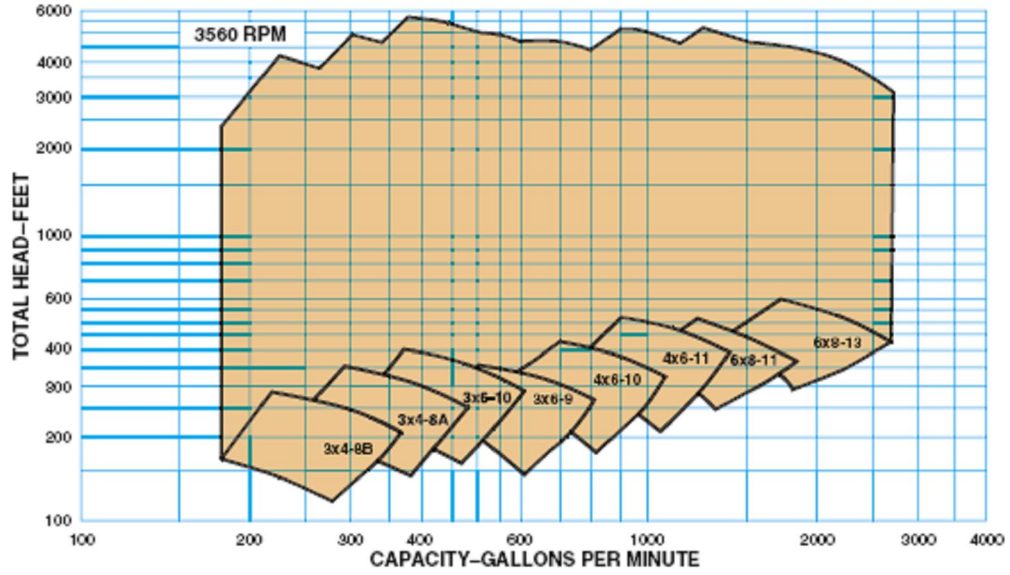
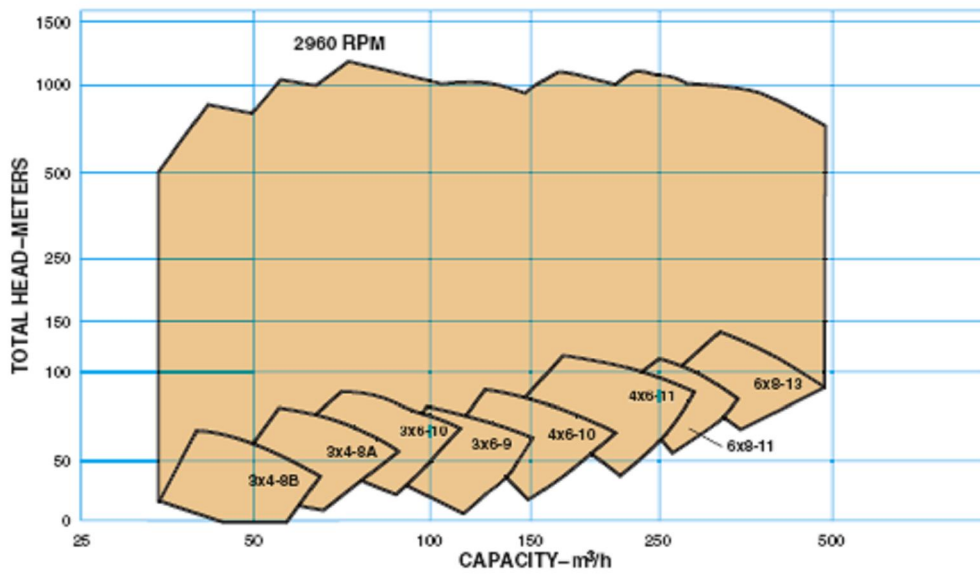


## Hydraulic Coverage 60 Hz

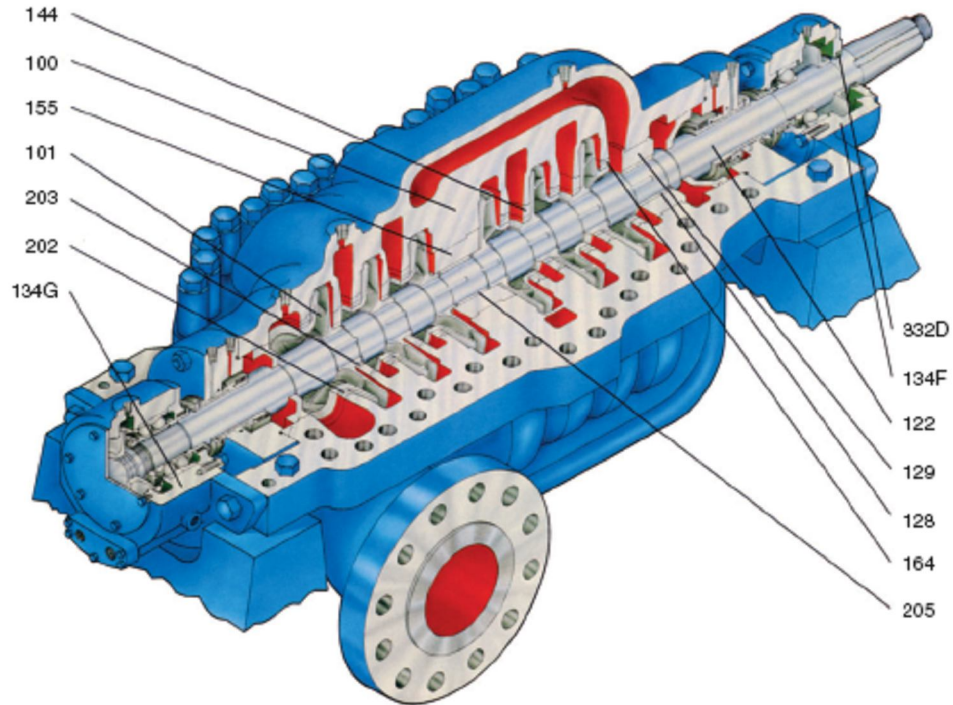


## Hydraulic Coverage 50 Hz



Lampiran 7 Brosur Pompa

## Sectional View Model 3600



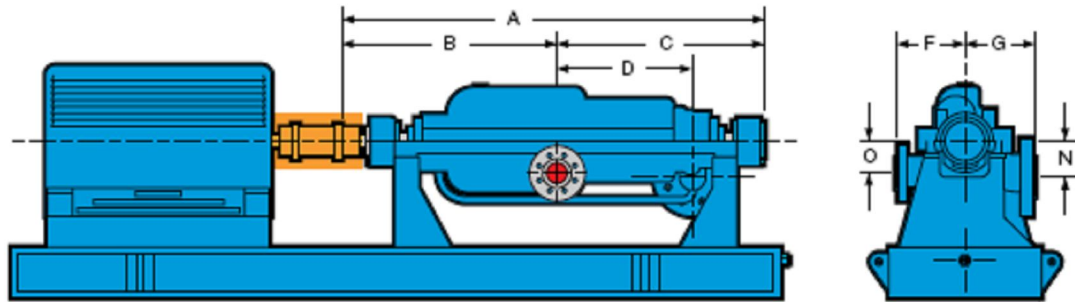
### Parts List and Materials of Construction

Item Number	Part Name	Material	
		S - 6	C - 6
100	Casing	Carbon Steel	12% Chrome
101	Impellers		12% Chrome
107	Gland (Packing)	Carbon Steel	12% Chrome
122	Shaft		17-4 PH
126A	Shaft Sleeves (Packing)		12% Chrome
126B	Shaft Sleeves (Mechanical Seal)		316SS or 12% Chrome
128	Throttle Sleeve		Nitronic 60
129	Throttle Bushing		12% Chrome Hardened
134F	Bearing Housing (Inboard)		Carbon Steel
134G	Bearing Housing (Outboard)		Carbon Steel
144	Stage Pieces (Back)		12% Chrome
155	Center Bushing		12% Chrome Hardened
164	Casing Wear Rings (Front)		12% Chrome Hardened
202	Impeller Wear Rings (Front)		17-4 PH
203	Impeller Wear Rings (Back)		17-4 PH
205	Center Sleeve		Nitronic 60
250	Gland (Mechanical Seal)		316 Stainless Steel
332D	Bearing Seals		Bronze

Lampiran 7 Brosur Pompa

## Dimensions Model 3600

All dimensions in inches and (mm). Not to be used for construction.



DIMENSIONS											
Pump Size	Suction	Discharge	Number of Stages	A	B	D	F	G	N	O	Approx. Weight Lbs. (kg)
3x4-8	4	3	3	53.6 (1367)	30.9 (785)	22.3 (566)	15.6 (396)	14.5 (368)	7.5 (191)	5 (127)	1312 (595)
			14	93.7 (2380)	49 (1245)	44.7 (1135)					2350 (1066)
3x6-9	6	3	3	53.6 (1367)	31 (786)	8.2 (209)	14 (356)	14.6 (370)	7.5 (190)	6.5 (165)	1750 (794)
			14	96 (2490)	51 (1297)	32 (821)					3125 (1418)
3x6-10	6	3	3	53.6 (1367)	31 (786)	8.2 (209)	14 (356)	14.6 (370)	7.5 (190)	6.5 (165)	1750 (794)
			14	96 (2490)	51.1 (1297)	32.3 (821)					3125 (1418)
4x6-10	6	4	4	66.5 (1689)	35.9 (913)	13.5 (342)	15.4 (392)	16 (407)	8.2 (209)	7.2 (182)	2400 (1089)
			12	101.9 (2587)	53.6 (1362)	31.1 (791)					3680 (1669)
4x6-11	6	4	4	67.9 (1724)	36.4 (925)	14.7 (373)	16.8 (427)	17.5 (445)	9.0 (229)	7.8 (198)	3011 (1366)
			10	96.80 (2459)	50.9 (1292)	29.2 (740)					4218 (1912)
4x6-10D	6	4	4	65.5 (1663)	31.5 (800)	13.4 (340)	15.4 (392)	16 (407)	8.2 (209)	7.2 (182)	2655 (1204)
			12	100.8 (2561)	49.2 (1249)	31.1 (789)					4000 (1814)
4x6-11D	6	4	4	71.6 (1818)	36.4 (925)	14.6 (371)	16.8 (427)	17.5 (445)	9 (229)	7.8 (198)	3220 (1461)
			10	100.6 (2555)	50.9 (1292)	29.1 (739)					4387 (1990)

Note: 4x6-10D and 4x6-11D with double suction first stage impeller.