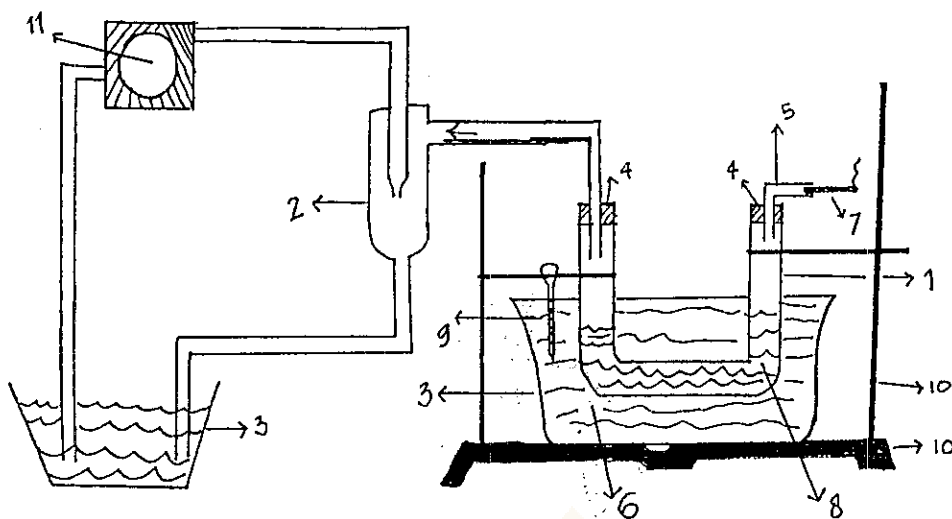


LAMPIRAN

GAMBAR PENJEBAK ASAP ROKOK



Keterangan :

1. Kolom kaca U diameter 2 cm
2. Satu set pompa vakum air
3. Bak plastik
4. Karet penyumbat
5. Pipa aluminium
6. Air, es dan garam dapur
7. Sampel rokok
- 8 Benzena
9. Termometer
10. Statif/penyangga
11. Water pump

METHOD: FLAME
SIGNAL: AA
INTEG. TIME: 3.0sec
CALIBRATION TYPE: Linear
EXPANSION: 10.1
PRINT CALIB: Yes
READ DELAY: 03sec

LAMP CURRENT: 6 mA
REPLICATES: 03
TECHNIQUE: Flame
ENERGY: 56

Standard1: 0.100
Standard3: 0.500
Standard5: 2.000

Standard2: 0.300
Standard4: 1.500

(AA) CONCENTRATION:
0.020 0.015 0.020
MEAN: 0.018 SD: 0.0027 RSD(%): 14.69

AUTOZERO APPLIED
MEAN: 0.000 SD: 0.0027 RSD(%): 14.69

STANDARD 1:

(AA) ABSORBANCE:

STANDARD 2:

(AA) ABSORBANCE:
0.000 0.000 0.000

ERR 3: Standard not in sequence.

(AA) ABSORBANCE:

MEAN: 0.000 SD: 0.0000 RSD(%): 16.73

MEAN: 0.100 SD: 0.0007 RSD(%): 7.14
CORR. COEF.: 1.0000 SLOPE: 0.0988

STANDARD 2:

(AA) CONCENTRATION:
0.161 0.164 0.172

CONC. (STD APPLIED):

MEAN: 0.264 SD: 0.0059 RSD(%): 3.56
CORR. COEF.: 0.8714 SLOPE: 0.0620

STANDARD 3:

(AA) CONCENTRATION:
0.427 0.433 0.432

CONC. (STD APPLIED):

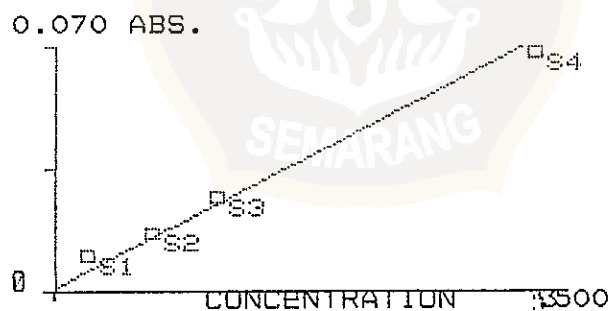
MEAN: 0.476 SD: 0.0032 RSD(%): 0.74
CORR. COEF.: 0.9589 SLOPE: 0.0560

STANDARD 4:

(AA) CONCENTRATION:
1.244 1.247 1.249

CONC. (STD APPLIED):

MEAN: 1.454 SD: 0.0024 RSD(%): 0.19
CORR. COEF.: 0.9922 SLOPE: 0.0480



(AA) CONCENTRATION:
1.370 1.375 1.366

MEAN: 1.370 SD: 0.0044 RSD(%): 0.32

(AA) CONCENTRATION: X

(AA) CONCENTRATION:
 X MEAN: 1.579 SD: 0.0132 RSD(%): 0.84

(AA) CONCENTRATION:
 1.541 1.567 1.581
 3 MEAN: 1.563 ✓ SD: 0.0203 RSD(%): 1.30

(AA) CONCENTRATION:
 1.357 1.354 1.371
 4 MEAN: 1.361 ✓ SD: 0.0088 RSD(%): 0.65

(AA) CONCENTRATION:
 0.958 0.985 0.984
 5 MEAN: 0.976 ✓ SD: 0.0156 RSD(%): 1.59

(AA) CONCENTRATION:
 1.583 1.593 1.596
 6 MEAN: 1.591 ✓ SD: 0.0068 RSD(%): 0.43

(AA) CONCENTRATION:
 0.377 0.363 0.363
 7 MEAN: 0.368 ✓ SD: 0.0081 RSD(%): 2.21

(AA) CONCENTRATION:
 0.762 0.780 0.763
 8 MEAN: 0.768 ✓ SD: 0.0099 RSD(%): 1.29

(AA) CONCENTRATION:
 0.721 0.717 0.733
 9 MEAN: 0.724 ✓ SD: 0.0082 RSD(%): 1.14

(AA) CONCENTRATION:
 0.818 0.810 0.809
 10 MEAN: 0.812 ✓ SD: 0.0051 RSD(%): 0.63

(AA) CONCENTRATION:
 0.624 0.647 0.640
 11 MEAN: 0.637 ✓ SD: 0.0118 RSD(%): 1.85

(AA) CONCENTRATION:
 0.663 0.655 0.657
 12 MEAN: 0.658 ✓ SD: 0.0041 RSD(%): 0.62

(AA) CONCENTRATION:

METHOD: FLAME
SIGNAL: AA
INTEG. TIME: 0.10sec
CALIBRATION TYPE: Linear
EXPANSION: 1.00
PRINT CALIB: Yes
READ DELAY: 03sec

LAMP CURRENT: 6 mA
REPLICATES: 03
TECHNIQUE: Flame
ENERGY: 58

Standard1: 0.1
Standard3: 0.5
Standard5: 2.0
Reslope: 1.0

Standard2: 0.3
Standard4: 1.5

(AA) ABSORBANCE:

-0.032 -0.029 -0.028
MEAN: -0.030 SD: 0.0020 RSD(%): 6.82

AUTOZERO APPLIED

MEAN: 0.000 SD: 0.0020 RSD(%): 6.82

STANDARD 1:

(AA) ABSORBANCE:

0.012 0.009 0.013

CONC. (STD APPLIED):

MEAN: 0.1 SD: 0.0020 RSD(%): 17.62
CORR. COEF.: 1.0000 SLOPE: 0.1138

STANDARD 2:

(AA) CONCENTRATION:

0.2 0.2 0.2

CONC. (STD APPLIED):

MEAN: 0.3 SD: 0.0140 RSD(%): 7.64
CORR. COEF.: 0.9170 SLOPE: 0.0761

STANDARD 3:

(AA) CONCENTRATION:

0.4 0.4 0.4

CONC. (STD APPLIED):

MEAN: 0.5 SD: 0.0236 RSD(%): 5.70
CORR. COEF.: 0.9626 SLOPE: 0.0672

STANDARD 4:

(AA) CONCENTRATION:
1.2 1.2 1.2

CONC. (STD APPLIED):

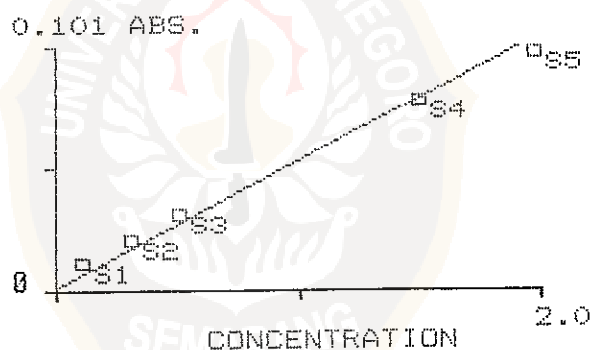
MEAN: 1.4 SD: 0.0031 RSD(%): 0.27
CORR. COEF.: 0.9887 SLOPE: 0.0552

STANDARD 5:

(AA) CONCENTRATION:
1.8 1.8 1.8

CONC. (STD APPLIED):

MEAN: 1.9 SD: 0.0252 RSD(%): 1.39
CORR. COEF.: 0.9926 SLOPE: 0.0523



(AA) CONCENTRATION:
2.0 2.0 1.9

MEAN: 1.9 SD: 0.0523 RSD(%): 2.72

(AA) CONCENTRATION:
1.6 1.7 1.7

MEAN: 1.7 SD: 0.0438 RSD(%): 2.65

(AA) CONCENTRATION:
1.5 1.5 1.5

MEAN: 1.5 SD: 0.0175 RSD(%): 1.18

(AA) CONCENTRATION: ~~0.4~~ ~~0.4~~ ~~0.4~~

(AA) CONCENTRATION: 0.3 0.3 0.3

17 MEAN: 0.3 ✓ SD: 0.0184 RSD(%): 5.66

(AA) CONCENTRATION: 0.8 0.7 0.7

18 MEAN: 0.7 ✓ SD: 0.0326 RSD(%):

(AA) CONCENTRATION: 0.4 0.4 0.5

19 MEAN: 0.4 ✓ SD: 0.0507 RSD(%):

(AA) CONCENTRATION: 0.2 0.2 0.2

20 MEAN: 0.2 ✓ SD: RSD(%): 7.06

0.3 0.3 0.3

21 MEAN: 0.3 ✓ SD: 0.0063 RSD(%):

(AA) CONCENTRATION: 0.3 0.3 0.3

22 MEAN: 0.3 ✓ SD: RSD(%): 12.27

(AA) CONCENTRATION: 0.2 0.2 0.2

23 MEAN: 0.2 ✓ SD: 0.0281 RSD(%): 12.13

(AA) CONCENTRATION: 0.4 0.4 0.4

24 MEAN: 0.4 ✓ SD: 0.0202 RSD(%): 5.06

(AA) CONCENTRATION: 0.3 0.3 0.3

25 MEAN: 0.3 ✓ SD: 0.0142 RSD(%): 5.17

(AA) CONCENTRATION: 0.5 0.5 0.5

26 MEAN: 0.5 ✓ SD: 0.0062 RSD(%): 1.23

(AA) CONCENTRATION: 0.4 0.4 0.5

27 MEAN: 0.4 ✓ SD: 0.0232 RSD(%): 5.41

(AA) CONCENTRATION: *sample (13)*
1.8 1.8 1.7

MEAN: 1.7 ✓ SD: 0.0330 RSD(%): 1.89